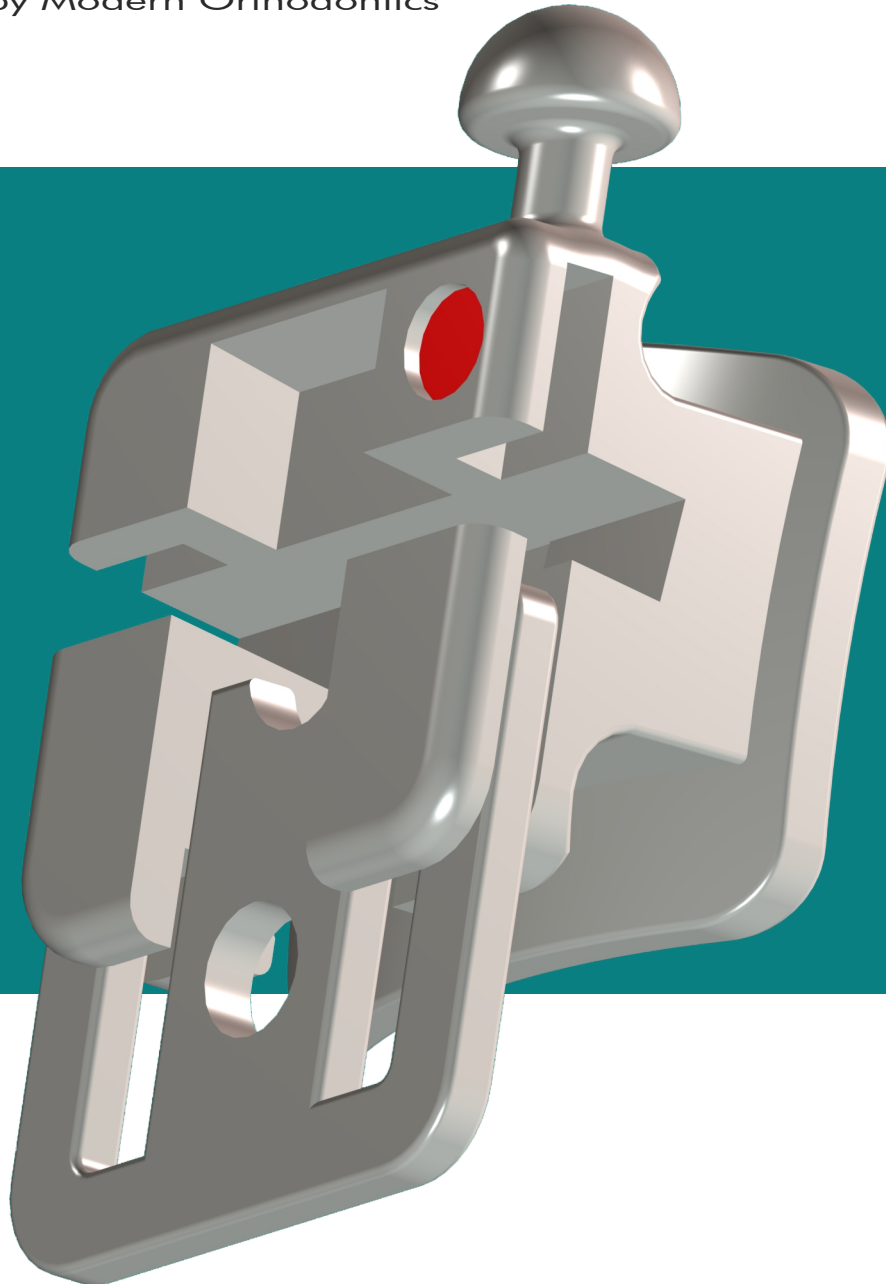


At-EaseTM

PASSIVE NITI CLIP

SELF-LIGATING

by Modern Orthodontics

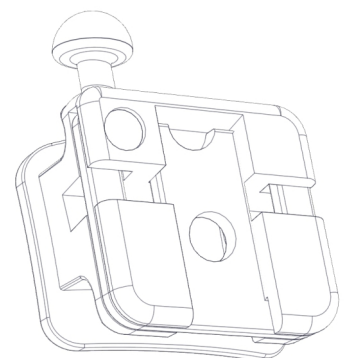


CNC Milled Slot

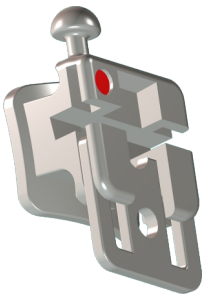
NiTi Clip

Metal Injection Molded

80 Mesh Pad



Modern
Orthodontics



At-Ease[™]
PASSIVE NiTi CLIP
SELF-LIGATING SYSTEM

At-Ease[™]

Passive Self Ligating with NiTi Clip
Self Ligating Two- Piece Bracket
True Twin with four tie wings and
time tested 80 mesh

Metal Injection Moulded (MIM)

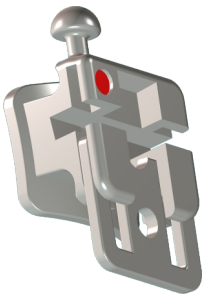
for intricate,
and smooth design.

Low Profile Design

for comfort and minimum occlusal
interferences.

CNC Milled Slot

for precision
and smoothness



Advanced 17-4 low nickel alloy
 for maximum strength in thinnest walls
 and zero slot collapse.

ZeroF ultra low friction slot
 Advanced polishing process creates mirror
 finish by removing high surface peaks at
 molecular level.

Rounded tie wings
 for patient comfort.

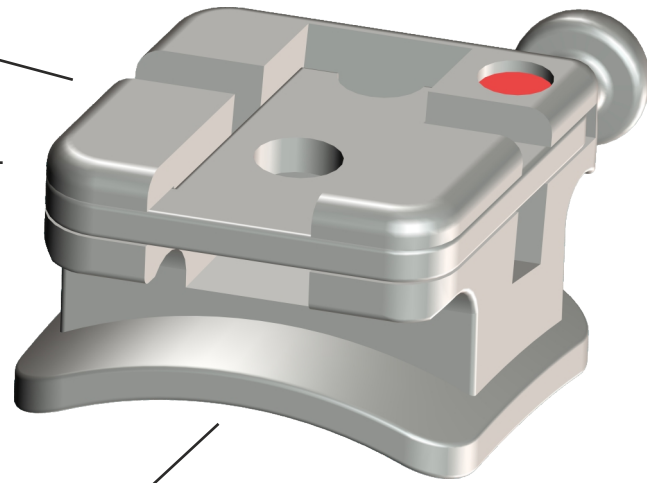
CNC milled slot
 for precision and smoothness.

Centre scribe line
 for accurate bracket placement in line
 with the long axis of tooth.

80 Gauge mesh pad
 Compound contoured diagonal
 mesh pad for maximum bonding
 strength and zero rocking.

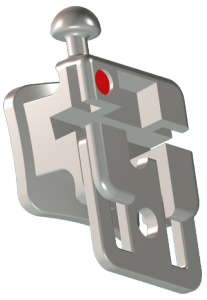
SecureLok Hooks
 Offer best locking of chains and accessories.
 Due to thinnest hook stem design large amount
 undercut is present beneath the half round ball of
 hook and chains will not slip out in between the
 patient appointments.

Exact in - out dimensions.



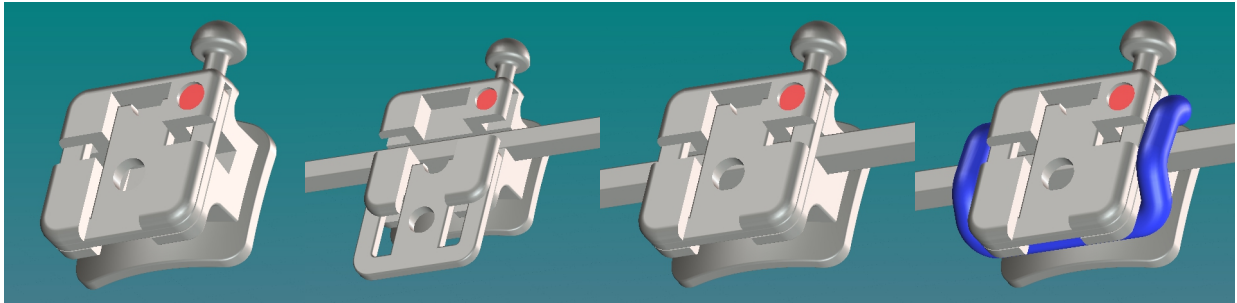
Palladium alloy braze
 assures strongest possible brazed
 joint and resists electrolytic reaction
 that can cause brazing failure during use.

Clip made of Nitinol
 For effortless repeated opening & closing
 Tested for more than 1000 cycles



At-Ease™
PASSIVE NiTi CLIP
SELF-LIGATING SYSTEM

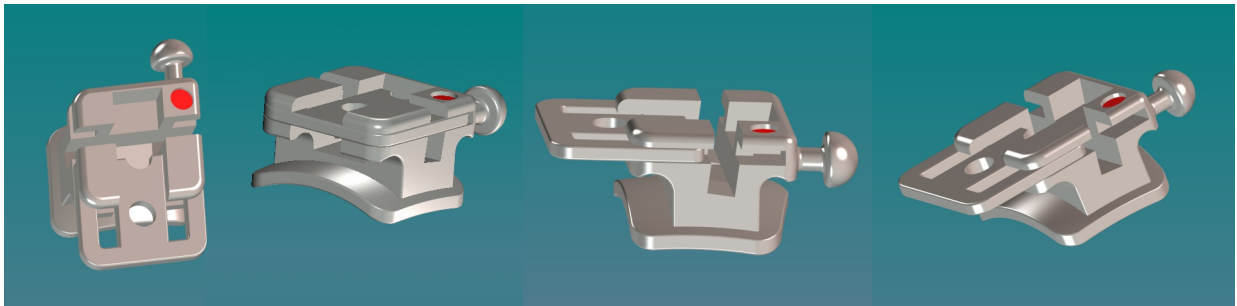
We are sure that you won't miss your conventional brackets.....



Fully versatile

Use with or without 'O'ring

No training required

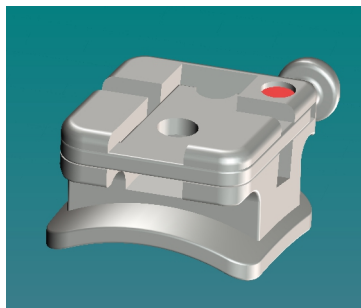


No special instruments to open or close

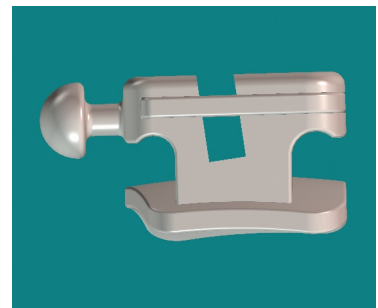
Use with or without 'O'ring



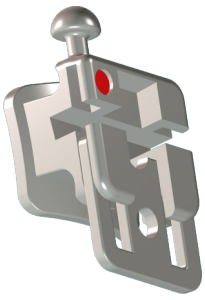
End to end rotation control



No Friction



Generous under tie wing area



MBT Prescription
 Maxillary ▲

Tooth	Torque	Angle	Width	R/L	ID	.022
1 1 Central	+17°	+4°	.113"	R	●	BTA-M2-101
				L	●	BTA-M2-102
2 2 Lateral	+10°	+8°	.106"	R	●	BTA-M2-103
				L	●	BTA-M2-104
3 3 Cuspid with hook	0°	+9°	.119"	R	●	BTA-M2-105
				L	●	BTA-M2-106
3 3 Cuspid with hook	-7°	+9°	.119"	R	●	BTA-M2-109
				L	●	BTA-M2-110
4 _s 4 _s Bicuspid with hook	-7°	0°	.110"	R	●	BTA-M2-113
				L	●	BTA-M2-114
4 _s 4 _s Bicuspid	-7°	0°	.110"	R	●	BTA-M2-115R
				L	●	BTA-M2-115L

MBT Prescription
 Mandibular ▼

Tooth	Torque	Angle	Width	R/L	ID	.022
1/2 1/2 Lower Anterior	-6°	0°	.093"	R	●	BTA-M2-119R
				L	●	BTA-M2-119L
3 3 Cuspid with hook	-6°	+3°	.108"	R	●	BTA-M2-120
				L	●	BTA-M2-121
3 3 Cuspid with hook	0°	+3°	.108"	R	●	BTA-M2-122
				L	●	BTA-M2-123
4 4 1 st Bicuspid with hook	-12°	+2°	.110"	R	●	BTA-M2-128
				L	●	BTA-M2-129
4 4 1 st Bicuspid	-12°	+2°	.110"	R	●	BTA-M2-130
				L	●	BTA-M2-131
5 5 2 nd Bicuspid with hook	-17°	+2°	.110"	R	●	BTA-M2-136
				L	●	BTA-M2-137
5 5 2 nd Bicuspid	-17°	+2°	.110"	R	●	BTA-M2-138
				L	●	BTA-M2-139

MBT Full Kits ▲▼

Kits	.022
Upper/Lower 5x5 Hook on 3*	BKA-M2-102*
Upper/Lower 5x5 Hooks on 3,4,5*	BKA-M2-104*

* Cuspid brackets in these Kits are having 0 deg torque in uppers and -6 deg torque in lowers.
 For any other cuspid torque combination, please place order for individual brackets.