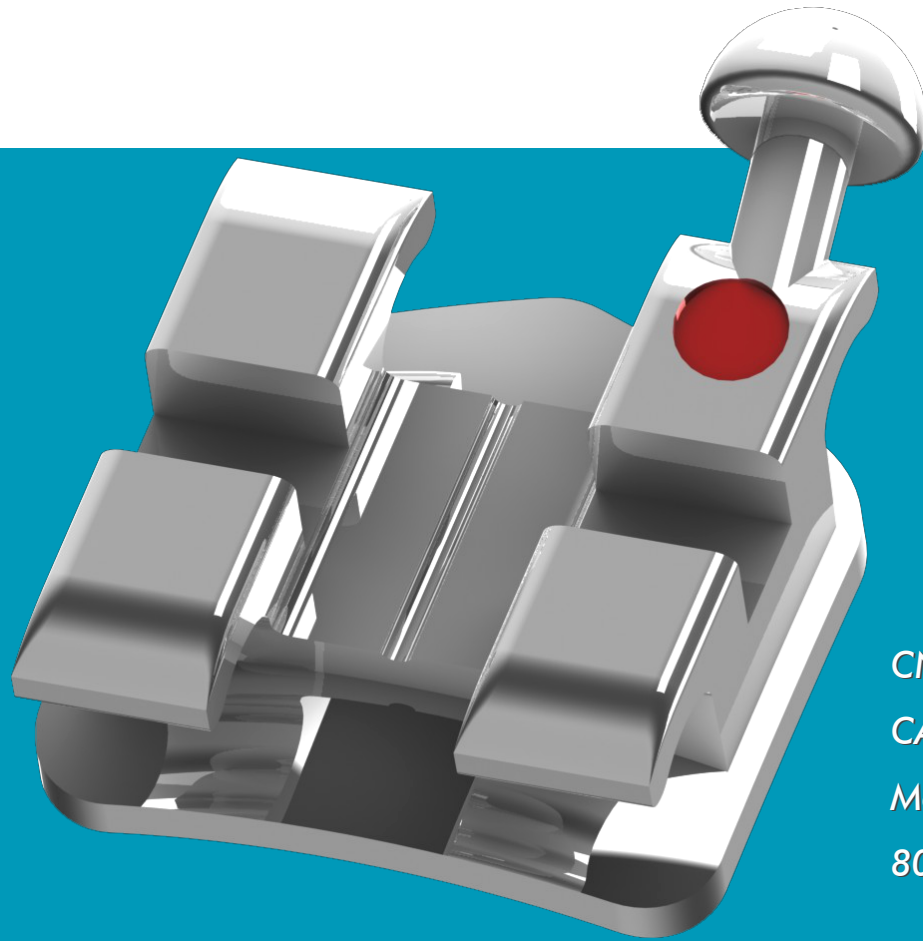
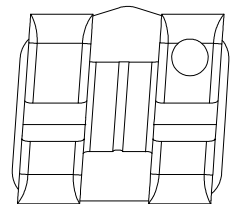
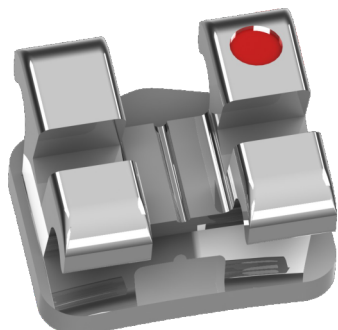


Micro-LPTM
LOW PROFILE
METAL BRACKETS
by Modern Orthodontics



CNC Milled Slot
CAD Design
Metal Injection Molded
80 Mesh Pad





Micro-LPTM
LOW PROFILE
METAL BRACKET SYSTEM

Micro-LPTM
LOW PROFILE
METAL BRACKET SYSTEM

True Twin Two- Piece Bracket
with four tie wings and
time tested 80 mesh

Metal Injection Moulded (MIM)

for intricate,
and smooth design.

Low Profile Design

for comfort and minimum occlusal
interferences.

CNC Milled Slot

for precision
and smoothness



Advanced 17-4 low nickel alloy
 for maximum strength in thinnest walls
 and zero slot collapse.

ZeroF ultra low friction slot
 Advanced polishing process creates mirror
 finish by removing high surface peaks at
 molecular level.

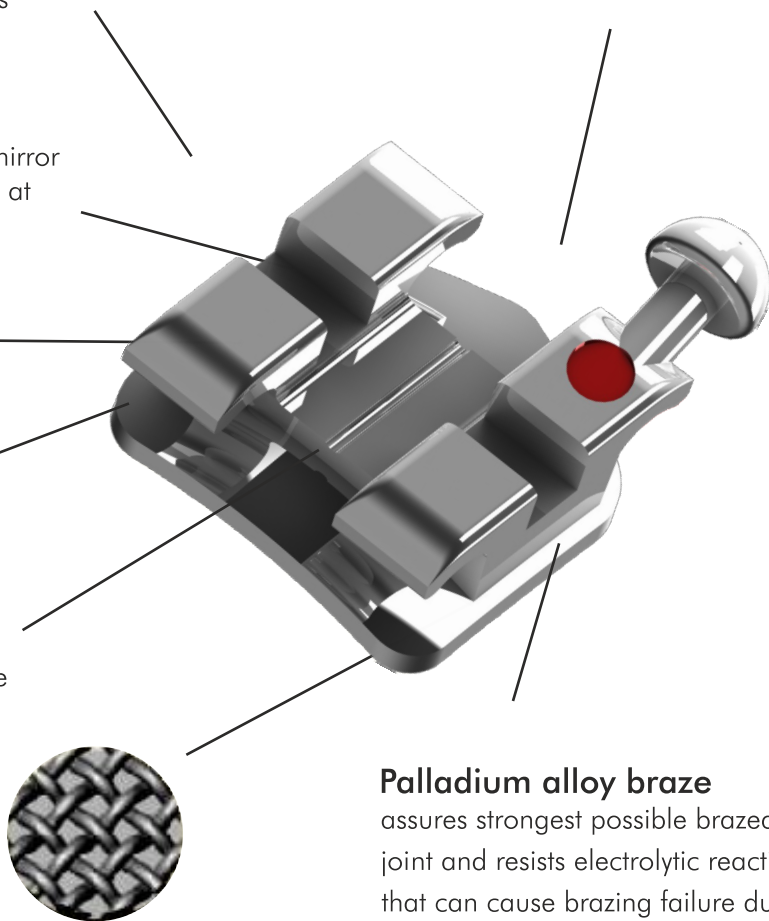
Rounded tie wings
 for patient comfort.

CNC milled slot
 for precision and smoothness.

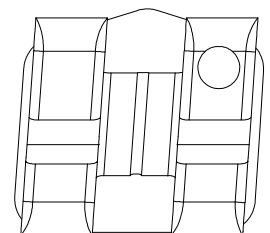
Centre scribe line
 for accurate bracket placement in line
 with the long axis of tooth.

80 Gauge mesh pad
 Compound contoured diagonal
 mesh pad for maximum bonding
 strength and zero rocking.

Exact in - out dimensions.



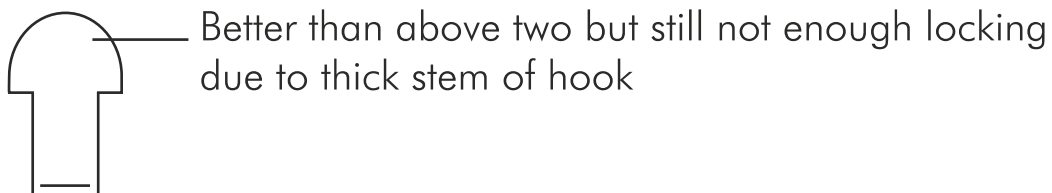
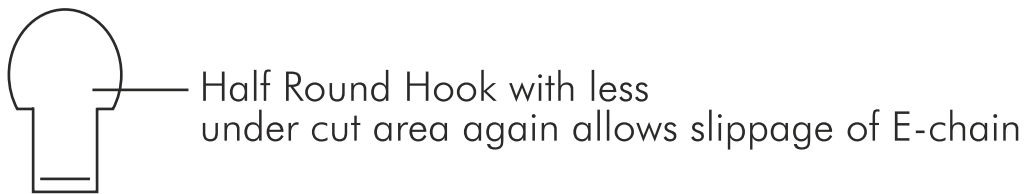
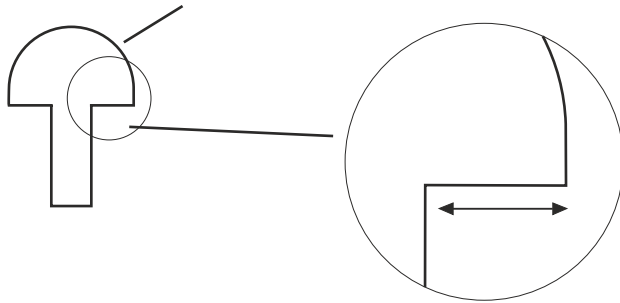
Palladium alloy braze
 assures strongest possible brazed
 joint and resists electrolytic reaction
 that can cause brazing failure during use.





SecureLok Hooks

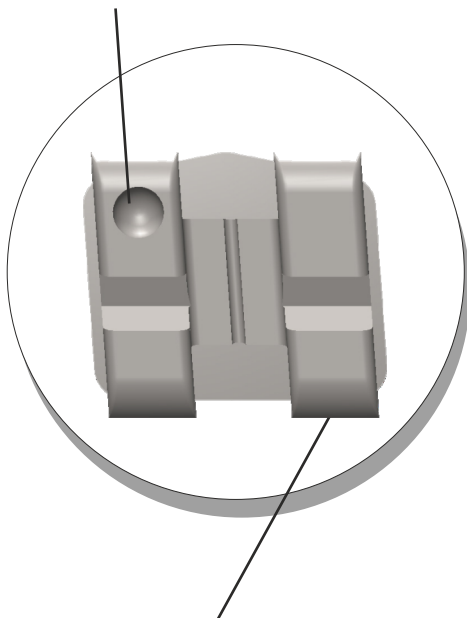
Offer best locking of chains and accessories.
Due to thinnest hook stem design large amount undercut is present beneath the half round ball of hook and chains will not slip out in between the patient appointments.



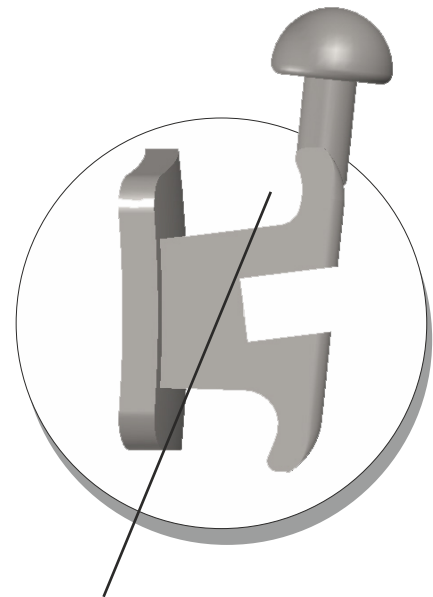
Micro-LP™
LOW PROFILE
METAL BRACKET SYSTEM



Permanent ID marks
with enhanced colors
for easy identification



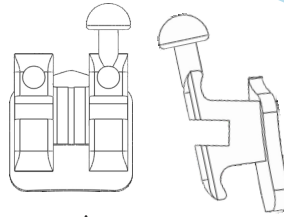
Large tie wings design
for double tying



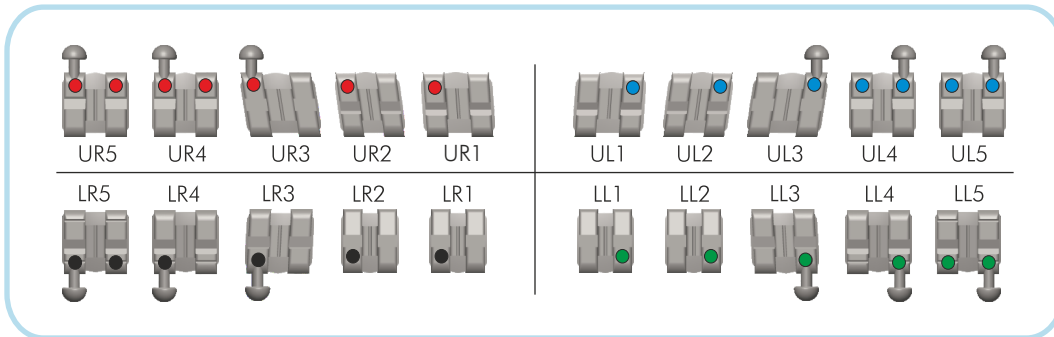
High gingival tie wings
on bicuspid for tissue avoidance,
easier ligation and better hygiene
Big help when bonding partially
erupted bicuspids



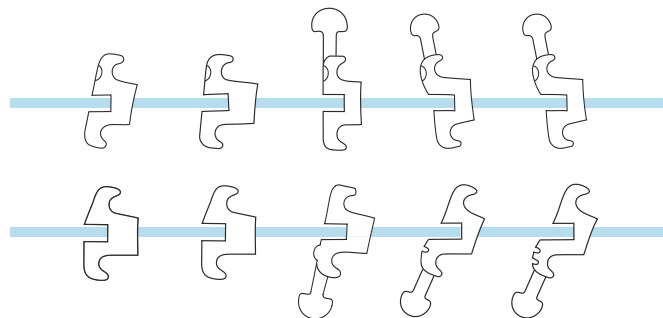
**Gingivally offset
bicuspid brackets**



offer a large bonding base covering more area on the occlusal one third of buccal surface and increasing bond strength. Helps in fast eruption of partially erupted bicuspids



Torque in
base design





Roth Prescription
Maxillary ▲

Tooth	Torque	Angle	Width	R/L	ID	.018	.022
1 1 Central	+12°	+5°	.113"	R	●	BTM-R8-001	BTM-R2-001
				L	●	BTM-R8-002	BTM-R2-002
2 2 Lateral	+8°	+9°	.106"	R	●	BTM-R8-003	BTM-R2-003
				L	●	BTM-R8-004	BTM-R2-004
3 3 Cuspid with hook	0°	+11°	.119"	R	●	BTM-R8-005	BTM-R2-005
				L	●	BTM-R8-006	BTM-R2-006
4/5 4/5 Bicuspids	-7°	0°	.110"	R	●	BTM-R8-009R	BTM-R2-009R
				L	●	BTM-R8-009L	BTM-R2-009L
4/5 4/5 Bicuspids with hook	-7°	0°	.110"	R	●	BTM-R8-010	BTM-R2-010
				L	●	BTM-R8-011	BTM-R2-011

Roth Prescription
Mandibular ▼

Tooth	Torque	Angle	Width	R/L	ID	.018	.022
1/2 1/2 Lower Anterior	0°	0°	.093"	R	●	BTM-R8-015R	BTM-R2-015R
				L	●	BTM-R8-015L	BTM-R2-015L
3 3 Cuspid With hook	-11°	+5°	.108"	R	●	BTM-R8-016	BTM-R2-016
				L	●	BTM-R8-017	BTM-R2-017
4 4 1st Bicuspid	-17°	0°	.110"	R	●	BTM-R8-020R	BTM-R2-020R
				L	●	BTM-R8-020L	BTM-R2-020L
4 4 1st Bicuspid with hook	-17°	0°	.110"	R	●	BTM-R8-021	BTM-R2-021
				L	●	BTM-R8-022	BTM-R2-022
5 5 2nd Bicuspid	-22°	0°	.110"	R	●	BTM-R8-026R	BTM-R2-026R
				L	●	BTM-R8-026L	BTM-R2-026L
5 5 2nd Bicuspid with hook	-22°	0°	.110"	R	●	BTM-R8-027	BTM-R2-027
				L	●	BTM-R8-028	BTM-R2-028

Roth Full Kits ▲▼

Kits	.018	.022
Upper/Lower 5x5 Hook on 3	BKM-R8-102	BKM-R2-102
Upper/Lower 5x5 Hooks on 3,4,5	BKM-R8-104	BKM-R2-104



MBT Prescription
Maxillary ▲

Tooth	Torque	Angle	Width	R/L	ID	.018	.022
1 1 Central	+17°	+4°	.113"	R	●	BTM-M8-101	BTM-M2-101
				L	●	BTM-M8-102	BTM-M2-102
2 2 Lateral	+10°	+8°	.106"	R	●	BTM-M8-103	BTM-M2-103
				L	●	BTM-M8-104	BTM-M2-104
3 3 Cuspid with hook	0°	+9°	.119"	R	●	BTM-M8-105	BTM-M2-105
				L	●	BTM-M8-106	BTM-M2-106
3 3 Cuspid with hook	-7°	+9°	.119"	R	●	BTM-M8-109	BTM-M2-109
				L	●	BTM-M8-110	BTM-M2-110
4 _s 4 _s Bicuspid with hook	-7°	0°	.110"	R	●	BTM-M8-113	BTM-M2-113
				L	●	BTM-M8-114	BTM-M2-114
4 _s 4 _s Bicuspid	-7°	0°	.110"	R	●	BTM-M8-115R	BTM-M2-115R
				L	●	BTM-M8-115L	BTM-M2-115L

MBT Prescription
Mandibular ▼

Tooth	Torque	Angle	Width	R/L	ID	.018	.022
1/2 1/2 Lower Anterior	-6°	0°	.093"	R	●	BTM-M8-119R	BTM-M2-119R
				L	●	BTM-M8-119L	BTM-M2-119L
3 3 Cuspid with hook	-6°	+3°	.108"	R	●	BTM-M8-120	BTM-M2-120
				L	●	BTM-M8-121	BTM-M2-121
3 3 Cuspid with hook	0°	+3°	.108"	R	●	BTM-M8-122	BTM-M2-122
				L	●	BTM-M8-123	BTM-M2-123
4 4 1 st Bicuspid with hook	-12°	+2°	.110"	R	●	BTM-M8-128	BTM-M2-128
				L	●	BTM-M8-129	BTM-M2-129
4 4 1 st Bicuspid	-12°	+2°	.110"	R	●	BTM-M8-130	BTM-M2-130
				L	●	BTM-M8-131	BTM-M2-131
5 5 2 nd Bicuspid with hook	-17°	+2°	.110"	R	●	BTM-M8-136	BTM-M2-136
				L	●	BTM-M8-137	BTM-M2-137
5 5 2 nd Bicuspid	-17°	+2°	.110"	R	●	BTM-M8-138	BTM-M2-138
				L	●	BTM-M8-139	BTM-M2-139

MBT Full Kits ▲▼

Kits	.018	.022
Upper/Lower 5x5 Hook on 3*	BKM-M8-102*	BKM-M2-102*
Upper/Lower 5x5 Hooks on 3,4,5*	BKM-M8-104*	BKM-M2-104*
Upper/Lower 5x5 Hook on 3	BKM-M8-202	BKM-M2-202
Upper/Lower 5x5 Hooks on 3,4,5	BKM-M8-204	BKM-M2-204

* Cuspid brackets in these Kits are having -7 deg torque in uppers and -6 deg torque in lowers.
Other kits have 0 deg torque in all cuspids.
For any other cuspid torque combination, please place order for individual brackets.